

# Lab ARMOR<sup>®</sup> BEAD BOX<sup>™</sup>





## Too Many Blocks? With Bead Box<sup>™</sup>, One Size Fits All!

Although it stands only slightly taller than a standard heat block, Bead Box's deeper tub gives you flexibility to incubate different kinds of tall and short vessels, wide and narrow vessels, all together – making life a little bit simpler in the lab.



- ✓ **Design:** The new Bead Box is no ordinary dry bath heat block. It's not designed around a solid block, but around Lab Armor<sup>®</sup> Beads<sup>™</sup> for better flexibility and performance.
- ✓ **Performance:** Bead Box replaces common drilled-out aluminum heat blocks and provides for optimal temperature uniformity and accuracy while incubating common lab vessels, including microfuge tubes, test tubes, and even microplates and slides.
- ✓ **Stays Clean:** Bead Box stays dry and protected from water-borne microbial contaminants.
- ✓ **Organized:** Beads hold capped and non-watertight vessels in place without racks or accessories.
- ✓ **Energy Efficient:** Beads have low biocide use and are recyclable.

*An aluminum box filled with Lab Armor<sup>®</sup> Beads<sup>™</sup> designed for use with any standard commercially available dry bath.*

Part ID	Description	
52300-BLK	<b>Single Box w/ 0.25 liters of Lab Armor® Beads™</b> 3.75 x 2.9 x 3.10 in (9.525 x 7.366 x 7.874 cm) Weight: 1.8 lbs. (0.82 kg) with 0.25 liters of beads	
52400-BLK*	<b>Double Box w/ 0.50 liters of Lab Armor® Beads™</b> 5.8 x 3.75 x 3.10 in (14.372 x 9.525 x 7.874 cm) Weight: 3.8 lbs. (1.72 kg) with 0.50 liters of beads	
5620753	<b>Single Box Empty</b> 3.75 x 2.9 x 3.10 in (9.525 x 7.366 x 7.874 cm) Weight: 0.8 lbs. (0.36 kg) Capacity for 0.25 liters of Lab Armor Beads	
5620752	<b>Double Box Empty</b> 5.8 x 3.75 x 3.10 in (14.372 x 9.525 x 7.874 cm) Weight: 1.8 lbs. (0.82 kg) Capacity for 0.50 liters of Lab Armor Beads	

## OTHER SPECIFICATIONS

**Operating Temperature Range:** -80°C to 180°C

**Temperature Uniformity - Midrange:** +/- 1 °C

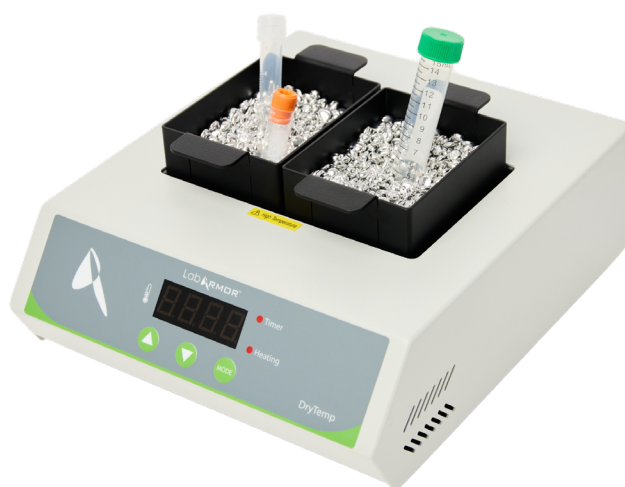
2-year Warranty

\*On 10/26/2023, Fisher Scientific catalog #07201780 = 16 mm 12 position single block for \$224 each (requires 2 each at \$448) and is equivalent to 1 each Lab Armor® 52400-BLK at \$199.99 for savings of \$248.01.

**Also Available...**

## **Bead Box™ with Lab Armor® DryTemp™ Bead Bath!**

<b>Part ID</b>	<b>Description</b>
52120-205	120 Volt DryTemp w/ Double Box and 0.50 liters of Lab Armor Beads
52120-210	120 Volt DryTemp w/ two Single Boxes and 0.50 liters of Lab Armor Beads
52230-205	230 Volt DryTemp w/ Double Box and 0.50 liters of Lab Armor Beads
52230-210	230 Volt DryTemp w/ two Single Boxes and 0.50 liters of Lab Armor Beads



### **Technical Support**

For additional product and technical information, such as product manuals or technical articles on the use of Bead Boxes, DryTemp, and Lab Armor Beads for common laboratory applications, please visit [labarmor.com](http://labarmor.com). For further assistance, please email us at [labarmor@sheldonmfg.com](mailto:labarmor@sheldonmfg.com).

[www.labarmor.com](http://www.labarmor.com) | [labarmor@sheldonmfg.com](mailto:labarmor@sheldonmfg.com) | +1 (503) 640-3000 | +1 (800) 322-4897 (U.S. Toll-Free)

### **Notifications**

The trademarks mentioned herein are the property of Lab Armor, LLC.  
Lab Armor® Beads are patented. For laboratory use only. Not for personal use.  
© 2010-2025 Lab Armor. All rights reserved.